



# BIZERBA

■ ... closer to your business

This fully automatic machine is ideal for customers who shave or chip roast beef, ham, turkey, pastrami, or bacon,

corned beef – virtually any food products into paper thin slices.

## ... VS 12 D-RB – automatic safety slicer ...



### Compact and fully automated meeting the highest standard

- Vertical carriage with positive feed
- Consistent, thin slices
- 3 carriage speeds
- Large receiving area and stainless steel tray
- Built in diagnostic program
- Will fit 15" long product without re-clamping
- Lift device standard
- Z feature standard
- This food machine is ideal for fast food and supermarket operators of all kinds' where slicing speed, space requirements and quiet operation are important considerations
- This machine is very simple and easy to clean.

### Best blade in the industry

The unique design of our blade produces clean and consistent slices. The hardness results in a long lasting sharp edge. The life of the blade is dramatically longer than the competition. The circumference translates into an additional 4" of blade passing through the product per revolution. Our standard blade is the hardest, thinnest, largest, straightest blade in the industry.

- 13" diameter, chromium coated hard alloy
- 60-62 Rockwell hardness at the edge
- Top quality gravity feed slicer with low-profile carriage for heavy product.

### Options

- Stainless steel stand with guide rollers and lock
- Teflon Blade



Project Name \_\_\_\_\_  
 Model/s \_\_\_\_\_  
 Number \_\_\_\_\_  
 Quantity \_\_\_\_\_

# BIZERBA

■ ... closer to your business

## 1-phase AC current

- 120 V, specialised data available on request
- 60 Hz
- 3.5 A
- Power consumption 0.504 kW

## Blade diameter

- 13" (300 mm)

## Blade speed

- 266 r.p.m.

## Max. produce size

- Round: 8.8" (224 mm)
- Rectangular: 10.2 x 8.8" (260 x 224 mm)

## Slice thickness

- 0.01" to 0.74" (0.5 to 24 mm)

## Installation area

- (L x W x H) 19.68" x 14.57" x 25.2", higher feed  
(500 mm x 370 mm x 640 mm)

## External dimensions

- (L x W x H) 24.8" x 31.7" x 22"  
(630 x 830 x 560 mm)

## Operating area

- (L x W) 31.5" x 35.4" (800 x 900 mm)

## Weight of machine

- approx. 154 lbs (70 kg)

## Packing case

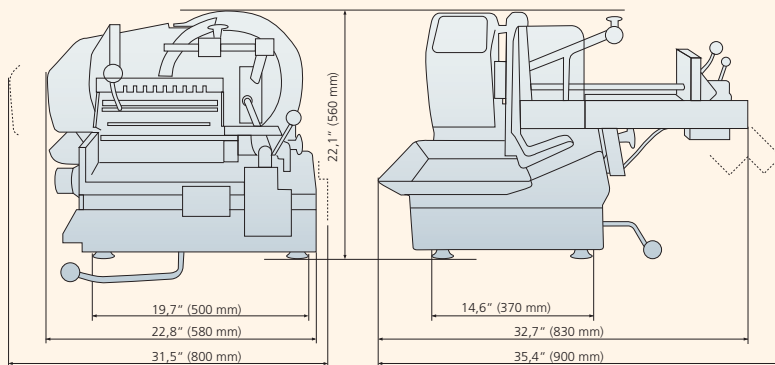
- (L x W x H) 22.8" x 32.2" x 27.6"  
(580 x 820 x 700 mm)

## Deposit tray

- 15.7" x 12.8" (400 x 325 mm)

## Protection type

- IP 33



## Warranty

The VS 12 D-RB carries a one-year, on-site parts and labor warranty against any flaws in materials and workmanship. This period begins with the date of purchase and, provided the unit is used properly in accordance with our instructions, is in full effect for one year from that date. Any work to be performed under this warranty must be performed between the hours of 8:00 a.m. and 4:30 p.m. local time, Monday to Friday. Bizerba will not pay overtime charges for work performed other than during normal business hours. Accessories have a 30-day replacement or repair warranty for the period beginning on the date of purchase. Damages incurred in transit or from installation error, accident, alteration or misuse are not covered. Transit damages should be reported to the carrier immediately. Bizerba shall not be liable for any consequential, compensatory, incidental, or special damages. All warranty work must be performed by a factory authorized Bizerba Representative.

## Members of the Bizerba Group

Bizerba GmbH & Co. KG  
 Wilhelm-Kraut-Straße 65  
 72336 Balingen  
 Germany  
 Tel. +49 7433 12-0  
 Fax +49 7433 12-2696  
 marketing@bizerba.de  
 www.bizerba.com

Bizerba USA Inc.  
 31 Gordon Road  
 Piscataway  
 New Jersey 08854  
 USA  
 Tel. Office +1 732 565-6000  
 Tel. Service +1 732 565-6001  
 Fax +1 732 819-0429  
 us.info@bizerba.com  
 www.bizerbausa.com

Bizerba Canada Inc.  
 2810 Argenta Road #9  
 Mississauga,  
 Ontario L5N 8L2  
 Canada  
 Tel. +1 905 816-0498  
 Fax +1 905 816-0497  
 sales@bizerba.ca  
 www.bizerba.ca

Bizerba de México, S.A. de C.V.  
 Av. Rio Mixcoac No. 157  
 Colonia Florida  
 01030 México, D.F.  
 México  
 Tel. +52 55 5663-1397  
 Fax +52 55 5663-1296  
 eduardo.aburto@bizerba.com.mx  
 www.bizerba.com.mx